

1 Products affected.

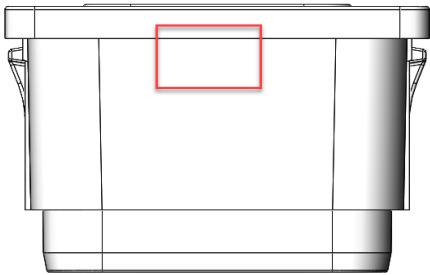
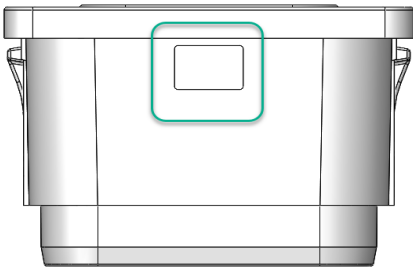
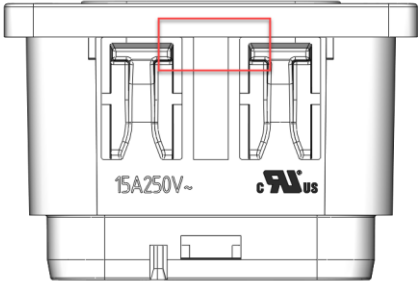
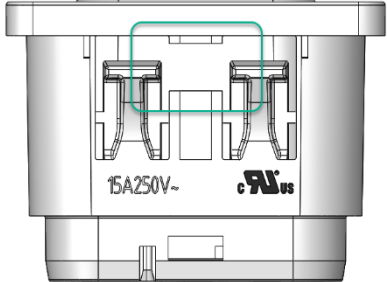
Product hierarchy no. *				Part no.	SBU	Product Type	Customer part no.
SBU	PG	PUG	Type				
02	007	012	0000001400	See list	Connectors	6610	-

*SBU (2-digit) / PG (3-digit) / PUG (3-digit) / Type (10-digit)

2 Type of change

- Change of product design

3 Detailed description of change

Current product appearance	New product appearance
Without V-Lock [Along] 	with V-Lock. [Along] 
Without V-Lock [Cross] 	with V-Lock. [Cross] 
Old Configuration code: -6610-XXXX-XXX-XXX-X 0 XX	New Configuration code: -6610-XXXX-XXX-XXX-X 0 1 XX

- Change socket design from without V-Lock notch to with V-Lock notch.

4 Reason of change

- Introducing locking capability on all variants

5 Release date

The change takes effect in ww 36/2023(Date code 2336 or higher on label).
Parts on stock will be used upon depletion.

Product Change Notification						6610-V-Lock as standard	
owner	creation date	release date	released by	change order	rev	page	D10-074-472
mansurva	09.06.2023	08.08.2023	muehlema	2026120	A	1 of 2	

6 Impact of change and recommended action

<input checked="" type="checkbox"/>	Form	Socket includes V-Lock Notch
<input type="checkbox"/>	Fit	
<input checked="" type="checkbox"/>	Function	Introduce locking functionality V-Lock as a standard
<input type="checkbox"/>	Manufacturing	
<input checked="" type="checkbox"/>	Label	Check new Configuration Code
<input type="checkbox"/>	Packaging	

7 Reference Documents

Kind of document	Document Title
Data Sheet	Datasheet_6610

8 Appendix

List of part numbers affected for type <6610>				
6610.1011	6610.1012	6610.1013	6610.1014	6610.1015
6610.1016	6610.1017	6610.1112	6610.1152	6610.1154
6610.1212	6610.1253	6610.1254	6610.1312	6610.1354
6610.2012	6610.2013	6610.2014	6610.2015	6610.2016
6610.2017	6610.2112	6610.2154	6610.2212	6610.2253
6610.2254	6610.2312	6610.2354	6610.3011	6610.3012
6610.3013	6610.3014	6610.3015	6610.3016	6610.3017
6610.4011	6610.4012	6610.4013	6610.4054	6610.4014
6610.4015	6610.4016	6610.4017	6610.5014	6610.5015
6610.5254	6610.6012	6610.6014	6610.6254	

Product Change Notification					6610-V-Lock as standard		
owner	creation date	release date	released by	change order	rev	page	D10-074-472
mansurva	09.06.2023	08.08.2023	muehlema	2026120	A	2 of 2	